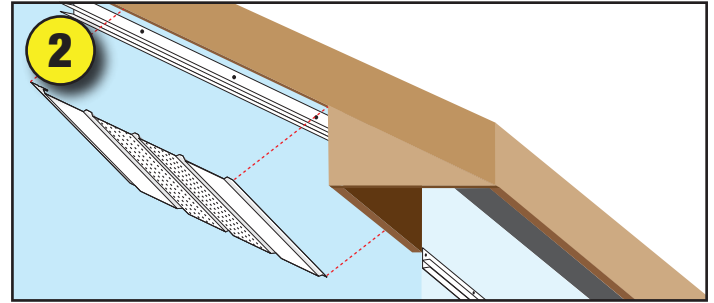
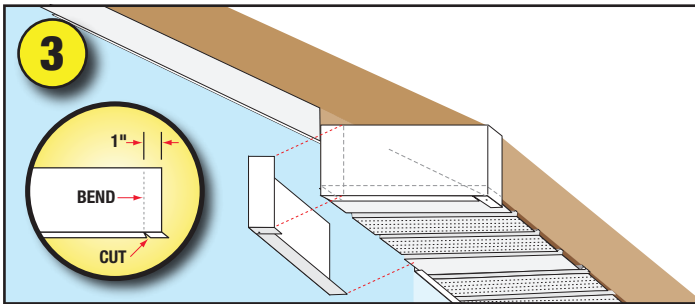


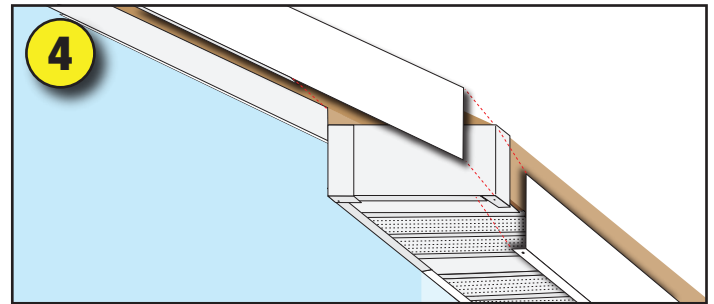
1. FRIEZE RUNNER - Bottom edge of runner channel must be level and aligned with the bottom surface of the fascia board. Using nailing flange of channel, nail and install along the entire length of the wall surfaces and up to gable peak on side wall



2. GABLE END SOFFIT PANELS - Start at the base of the gable end and work up to the peak from each side, as far as full panels will fit. Slide panels into channel and secure to under edge of fascia board. It may be necessary to cut a panel, bend to match peak angle and rebend edges to make interlocking jointings. Slide peak panel into position and nail.



3. FASCIA TRIM - Beginning at corners, cut and bend to form box. With box in position, pre-drill (align with soffit grooves) and nail through bottom lip of fascia trim every 36 inches along bottom edge of fascia board. Never 'face nail' fascia. Do not drive nails tight - fascia must be 'hung', to allow expansion and help prevent distortion.



4. FINISH TRIM - Allow at least 1 inch overlap of fascia where lengths meet. Cover balance of gable end with fascia trim and cut to make overlap joint at peak. Use drip edge or trim coil to cover and finish top edge of fascia trim.



CAUTION! - Soffit & Fascia products have sharp edges! Handle with care. Always use protective eyewear, gloves and appropriate clothing.

ALWAYS USE PROFESSIONAL FALL PROTECTION when working over 6 feet above grade - See Appleton Building Products for a **Rooftop Safety Kit**

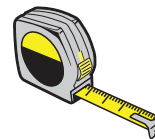


Refer to local building and safety codes before starting work. Obtain professional advice for any applications not covered in these guidelines.

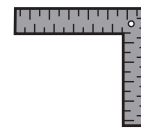
TOOLS



LEVEL



TAPE MEASURE



SQUARE



CHALK LINE



HAMMER



SNIPS



DRILL

TRIM NAILS



Use **aluminum** or **stainless steel** trim nails. Ordinary galvanized steel nails will cause premature corrosion.

Use Appleton **color matched** nails for a professional job.